



SK27

Automation Grade	<i>SEMI</i>	<i>Fully</i>	Use Intensity	<i>Low</i>	<i>MEDIUM</i>	<i>High</i>
Format Setting	<i>MANUAL</i>	<i>Automatic</i>	Box Dimension	<i>Small</i>	<i>MEDIUM</i>	<i>LARGE</i>

DATASHEET

SAFE • SUSTAINABLE • STRONG

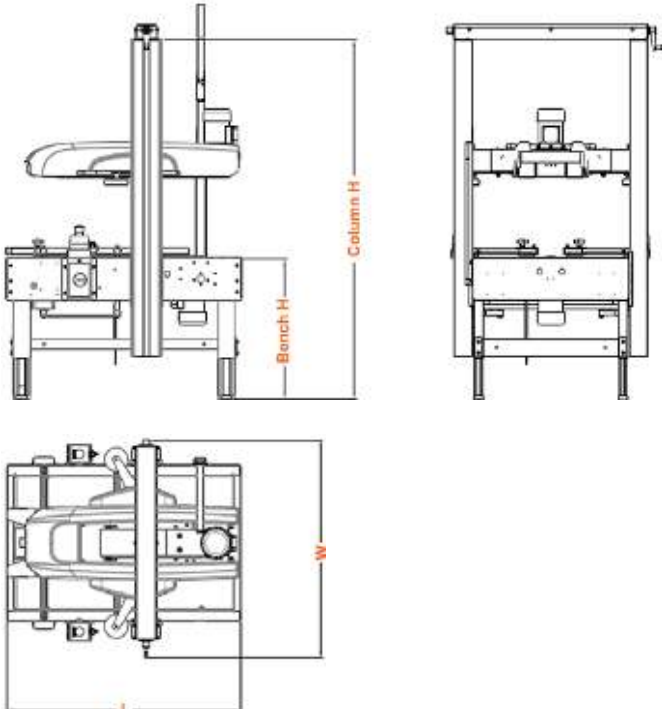
Semi-Automatic Case Sealer

The SK27 is a new semi-automatic case sealing machine designed and engineered by SIAT specifically for large and medium fixed sized boxes. SK27 is the ideal case sealing machine for a variety of industries like food and beverage, chemical, clothing, textiles, electronics, furniture and metal containers.

KEY FEATURES

- ✓ **Practical** - Seals upper & lower flaps of cardboard cases or cartons
- ✓ **Added Protection** - Lockable electric isolation switch
- ✓ **Taping Heads** - Available with K11 or K12 taping heads
- ✓ **Faster** - 30 m/min belt conveyor speed option available
- ✓ **Ecological** - energy saving option available
- ✓ **Quality Build** - Best-In-Class components with SIEMENS electrics
- ✓ **New feature** - Top taping head removable
- ✓ **Improved Design** - Quick release Taping Heads (Top & Bottom – No tools required)
- ✓ **CE compliant** - Engineered and produced in Italy according to EU safety standards

MACHINE DIMENSIONS



Machine Dimensions		
	Min (mm)	Max (mm)
H Column	1.490	1.830
H Bench	485	825
W	1010	1010
W Bench	720	720
L	1.080	1.080

Standard Power Supply	
380/400V - 50Hz - 3ph	
440V - 60Hz - 3ph	
Amps	1,08
Power kW	0,26
Phase	3Ph +N + PE

SK27

DATASHEET



Technical Data

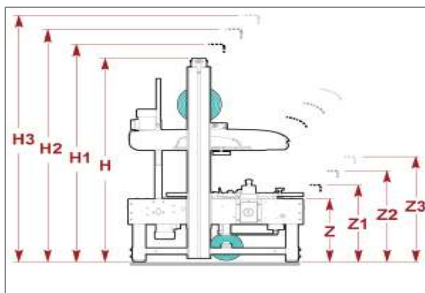
Belt position	Top + Bottom
Box Size	Medium + Large
Min / Max box weight	0.5 - 32 kg
Default Taping Head	K12 for 3" = 75 mm
Alternative Taping Heads	K11 for 2" = 50 mm
Power Consumption (std.)	0,26 kw
Air Consumption (NL/Cycle)	No air consumption
Operator Side	Left (std.) / Right
Tape width (mm)	75 (std.) / 50
Tape Leg (mm)	70 (std.) / 50 / 30
Ingress Protection Code	IP54
Ambient Operating Temperature	+5° / +40° C
Maximum level of noise	Depending on tape quality

Features

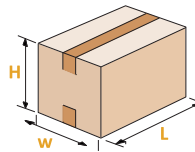
Removable Top Taping-Head	•
Removable Bottom Taping-Head	•
Adjustable Tape Leg	•
Pre-Installed & Easy-To-Mount	•
Adjustable Tape Contact Pressure	•
Autom. Box Format Setting	-
Flap Folding Function	-
Belt Speed Selection	-
Fully Automatic Operation	-
SIAT Taping-Logic on board	-

MORE MACHINE DIMENSIONS

Length x Width	1.080 x 1010
Workbench Width	720
Height H (std. legs)	1.490 – 1.830
Height H1 (std. legs + wheels AS77)	1.600 – 1.940
Height H2 (opt. legs AS80)	1.650 – 1.985
Height H3 (opt. legs AS80 + wheels AS77)	1.760 – 2.095
Workbench Height Z (std. legs)	485 – 825
Workbench Height Z1 (std. legs + wheels AS77)	595 – 935
Workbench Height Z2 (opt. legs AS80)	645 – 980
Workbench Height Z3 (opt. legs AS80 + wheels AS77)	755 – 1.095



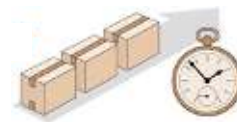
BOX DIMENSIONS & PRODUCTIVITY



Box Dimensions	L (mm)	W (mm)	H (mm)
Min.	150	170	120*
Max.	∞	650	700**

* 100 mm high box manageable with 50 mm tape leg
120 mm high box manageable with 70 mm tape leg

** possibility to lift the columns up on second position for max 950 mm height (keeping the min of 120 mm)



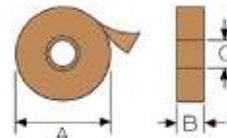
Max. production capacity:
Up to 1200* BPH

*Based on the shortest processible box length and provided an optimum continuous box infeed by the operator.

PROCESSABLE TAPES

Base Material	PVC / OPP / PET / Paper*
Adhesive Type	Solvent / Hot Melt / Acrylic
Special Tape	Filament-Tape** / Safety-Seal-Tape***

*with limitations **special tape cutting blade required ***need of a test might be necessary



K11R / K12R	
A	Max. 410 mm
B	50 / 75 mm
C	76 mm

BOX REQUIREMENTS

Quality result of the taped box depends on the general box quality and dimensional accuracy, as well as the quality of tape used.

Box Types: FEFCO 0201 – RSC
[other types may be possible as well]

Adverse Impact Factors	Underfilling	Overfilling	Weak Boxes

OPTIONS & ACCESSORIES

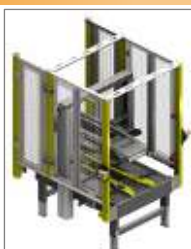
- Operation side "Right" (std. "Left")
- Special cutting blades filament-tape
- Taping Head for 50mm width
- Power Supply 220/230V – 50hz – 1ph
- Higher Legs
- Casters / Wheels
- Fix / Extendable Roller Conveyors
- Safety fences
- 30 m/min belt speed (std. 22)
- Energy Saving Kit
- End/Break Tape Device

MORE DETAILS

Videos and further information can be found on our website or SIAT Youtube channel.

SPECIAL VERSIONS

Special Versions according to individual application and safety requirements are possible on request.



SAFE • SUSTAINABLE • STRONG

SIAT.com